



WWW.KUCHT.COM



BE A **PRO** IN YOUR KITCHEN

Kucht Tower Refrigerator
KRSERIES
USER MANUAL

APPLICABLE MODEL: KR180TF, KR300TR




WELCOME TO THE KUCHT FAMILY

- Please read this user manual carefully before installing and using the product.
- Always follow the applicable safety instructions.
- Keep the user manual in an easily accessible place for further use.
- Please read all the other documents provided with the product.

Please keep in mind that this manual may apply to several product models.

This manual expressly indicates the differences between various models

A	Risk of injury and property damage.
B	Risk of electric shock.
C	Important information and useful hints.
	Packaging materials of this product has been manufactured from recyclable materials in accordance with the National Environment Regulations.



1 - SAFETY INSTRUCTIONS

This chapter contains safety information that will help you avoid the risk personal injury or property damage. Failure to follow these instructions shall render any product warranty void.

1.1 GENERAL SAFETY INSTRUCTIONS

- This product can be used by children at age 8 and above and those people who have limited physical, sensory or mental capabilities and people who lack experience and information on the condition that they have been given the instructions about the safe use of the product, they are supervised and the risks have been eliminated.

Children should not play with the product.

Cleaning and care should not be performed by children unless they are supervised by an adult.

- Unplug the product if you encounter a failure during use.
- If the product malfunctions, it must not be operated until repaired by the authorized service provider. Risk of electric shock!

- Plug the product into a grounded socket protected by a fuse that corresponds to the value on its nameplate.

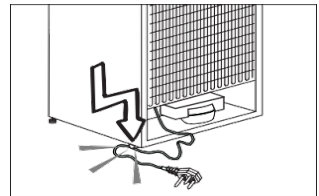
Have a qualified electrician ground the product.

Our company cannot be held responsible for damages resulting from the failure to use the product with a grounded socket pursuant to local regulations.

- Unplug the product when not in use.
- Never wash the product by spreading or pouring water onto it! Risk of electric shock!
- Never touch the plug with wet hands!
- Never unplug the product by pulling the cable. Always pull the plug by holding the socket
- Do not plug the refrigerator if the wall socket is loose.
- Never connect your refrigerator to energy saving devices.
- Such systems are harmful to your product.
- Unplug the product during installation, care, cleaning and repairing procedures.
- Always have the authorized service provided install the product and establish its electrical connections.

The manufacturer cannot be held responsible for damages caused by procedures performed by unauthorized persons.

- Do not eat cone ice cream or ice cubes immediately after you take them out of the freezer compartment! This may cause frostbite in your mouth!
- Do not touch frozen food with wet hands! They may stick to your hand!
- Do not put bottled or canned liquid beverages in the freezer compartment. They may burst!



1 - SAFETY INSTRUCTIONS

- Never use steam or steam cleaners to clean or defrost the refrigerator. Steam gets into contact with the live parts in your refrigerator, causing short circuit or electric shock!
- Do not use mechanical devices or other means to accelerate the defrosting process other than those recommended by the manufacturer.
- Never use the parts in your refrigerator such as the door and drawer as a means of support or step. This may cause the product to tip over or damage the parts of it.
- Do not damage the parts where the refrigerant is circulating with drilling or cutting tools. The refrigerant that might blow out when the gas channels of the evaporator, pipe extensions or surface coatings are punctured causes skin irritations and eye injuries.
- Do not cover or block the ventilation holes in your refrigerator with any object.
- Place the beverage with higher proofs tightly closed and vertically.
- Do not use gaseous sprays near the product since there is the risk of fire or explosion!
- Flammable items or products that contain flammable gases (e.g. spray) as well as explosive materials should never be kept in the appliance.
- Do not place vessels filled with liquid onto the product. Splashing water on an electrical part may cause electric shock or the risk of fire.
- Do not store items that need precise temperature adjustment (such as vaccines, heat-sensitive medication, science materials etc.) in the refrigerator.
- If you are not going to use the product for a long time, unplug it and remove the food in it.
- If there is a blue light on the refrigerator, do not look at this light with optical tools.
- Exposing the product to rain, snow, sun or wind is dangerous in terms of electrical safety.
- In products with mechanical control (thermostat), wait for 5 minutes to plug in the product again after unplugging.
- Do not overload the refrigerator. Objects in the refrigerator may fall down when the door is opened, causing injury or damage. Similar problems may arise if any object is placed onto the product.
- If the product has a door handle, do not pull the handle when re-locating the product. The handle might be loose.
- Be careful not to jam your hand or any other body part in the moving parts of the refrigerator.
- Do not put your hand or any other foreign materials into the ice machine while it is operating.

1 - SAFETY INSTRUCTIONS

1.2 INTENDED USE

- This product has been designed for domestic use. It is not suitable for commercial use and it must not be used out of its intended use.
- It must be used only for storing food.
- The manufacturer will not take any responsibility for damages resulting from improper use or transport.
- Original spare parts will be available for 10 years after the purchase date of the product.

1.3 CHILDREN'S SAFETY

- If there is a lock on the door of the product, the key should be kept out of the reach of children.
- Do not let children play with the product.

A

DANGER:

Before disposing your old refrigerator or freezer:

- Children may get locked inside.
- Remove the doors.
- Leave the shelves to prevent children from getting inside the product easily.

1.4 COMPLIANCE WITH WEEE DIRECTIVE AND DISPOSING THE PRODUCT

This product conforms to the EU WEE Directive (2012/19 EU).

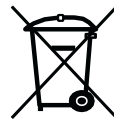
This product bears a classification symbol for waste electrical and electronic equipment (WEEE).

This product has been manufactured from high quality parts and materials which can be reused and are suitable for recycling.

Therefore, do not dispose the product with normal domestic waste or other waste at the end of its service life.

Take it to a collection center for recycling electrical and electronic equipment.

Please consult local authorities to learn about the locations of such collection center.



1 - SAFETY INSTRUCTIONS

1.5 COMPLIANCE WITH THE RoHS DIRECTIVE

The unit you have purchased conforms to the EU RoHS Directive (2011/65/AB). It does not contain harmful or prohibited materials specified in the Directive.

1.6 PACKAGING INFORMATION

- Packaging materials of the product have been manufactured from recyclable materials in accordance with our National Environment Regulations.
- Do not dispose the packaging materials with normal domestic waste or other types of waste.
- Take these materials to a recycling point designated by local authorities.

<h1>A</h1>	<p>DANGER: Risk of Fire or Explosion:</p> <ul style="list-style-type: none">• This product uses flammable refrigerant.• Do not use mechanical devices to defrost the refrigerator.• Do not use chemicals for cleaning.• Do not pierce the refrigerant pipe.• If the refrigerant pipe is pierced, it must be repaired only by licensed service personnel.• Please consult the repair/user manual before cleaning the product. <p>All safety instructions must be followed.</p> <ul style="list-style-type: none">• Dispose the product according to federal or local regulations
------------	--

1.7 HYDROCARBON (HC) WARNING

- If your product's cooling system contains R-600a.
This gas is flammable.
Therefore, pay attention not to damage the cooling system or the piping during use and transportation.
- If damaged, keep the product away from potential fire sources that may cause it to catch fire and ventilate the room where the product is placed.

1 - SAFETY INSTRUCTIONS

C	If the product is damaged and if you see gas leak, please keep away from the gas. It may cause frostbite when it gets into contact with the skin. (including R134
C	Ignore this warning if the cooling system of your product contains R134a.
C	Type of gas used in the product is stated on the type plate which is on the left wall inside the refrigerator.
A	WARNING: Never throw the product into fire for disposal.

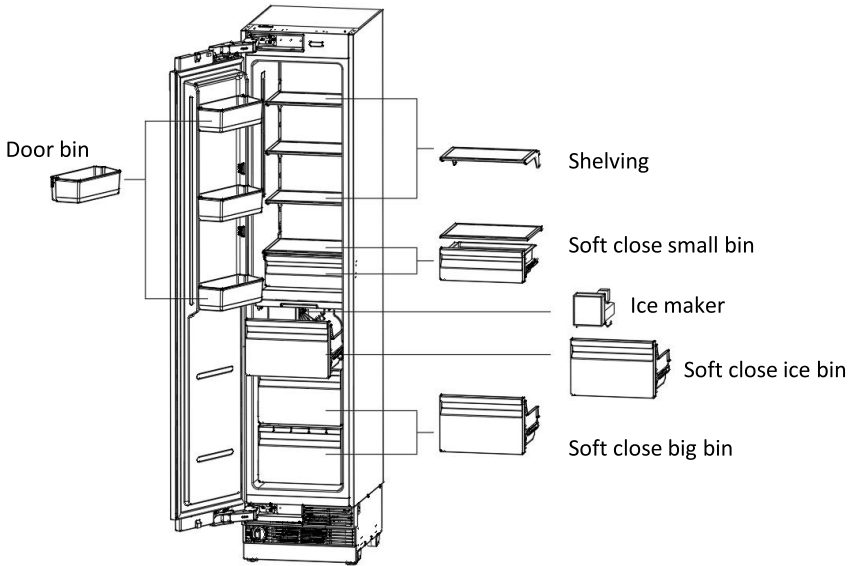
1.8 FOR PRODUCTS WITH WATER DISPENSER

- Operating pressure for cold water inlet is between 1-5.5 bars.
If the water pressure exceeds 80 psi (5.5 bars), install a pressure limiting valve to your mains system.
- If the mains pressure is lower than 1 bar, you can use an auxiliary pump to compensate the low pressure.
- If you do not know how to check the water pressure, please consult a professional plumber.
- If there is a risk of water impact in your installation, always use a water impact protection equipment in that installation.
- Please consult professional plumbers if you are not sure if there is water impact in your installation.
- Do not make installation on the hot water inlet.
- Take the necessary measures against the freezing risk of the hoses.
- The water temperature operating range must be 0.6° C (33° F) minimum and 38° C (100° F) maximum.

A	WARNING: Never connect the product to a cold water mains with a pressure of 5.5 bars (80 psi) and above
---	---

2 - STORAGE FEATURES

. FREEZER



Freezer Components

Shelving

- Selectable shelf heights.
- Heat treated safety glass..

Ice maker (if applicable)

- Removable ice container.
- Hygienic ice scoop.

Self close bins

- Freezer bins self close to ensure all bins close properly.

Door bins

- Adjustable and removable door bins.

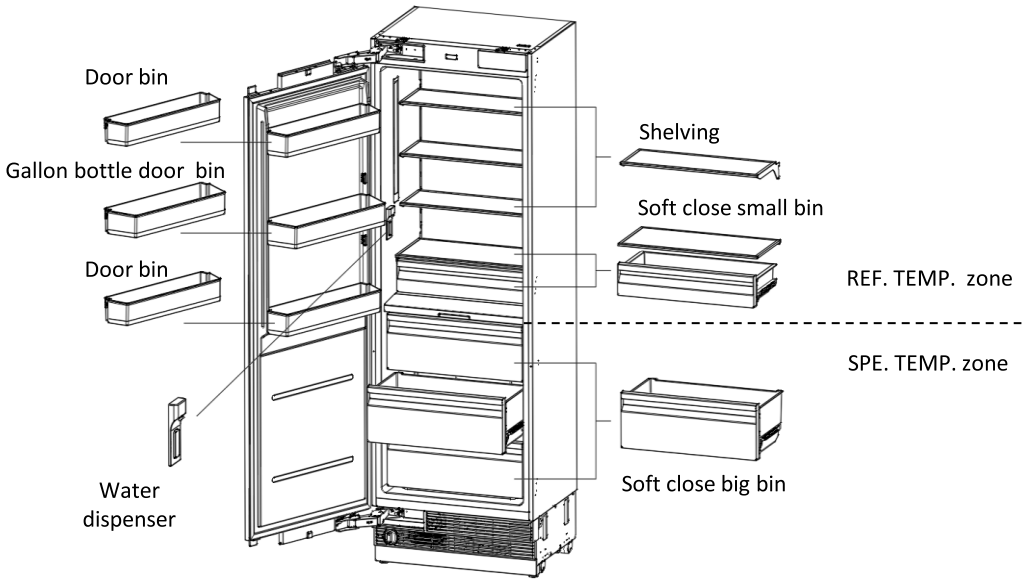
May not be available in all models

C

Figures in this user manual are schematic and may not match the product exactly. If your product does not have the relevant parts, the information applies to other models.

2 - STORAGE FEATURES

. REFRIGERATOR



Refrigerator Components

Shelving	<ul style="list-style-type: none">• Selectable shelf heights.• Heat treated safety glass.
Water dispenser (if applicable)	<ul style="list-style-type: none">• Removable ice container.• Hygienic ice scoop.
Soft close bins	<ul style="list-style-type: none">• Soft close bins ensure bins close quietly and properly.
Door bins	<ul style="list-style-type: none">• Adjustable and removable door bins.• Gallon bottle door bin.

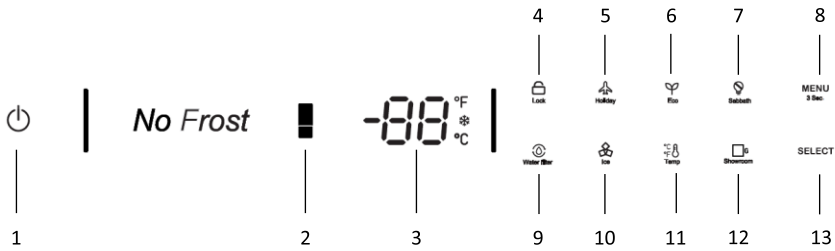
May not be available in all models

C

Figures in this user manual are schematic and may not match the product exactly. If your product does not have the relevant parts, the information applies to other models.

3 - DISPLAY PANEL

. FREEZER



1	On/Off button	Serves to switch the whole appliance On and Off. Press the button to switch on the product, the product will be switched on in 5 seconds. Press the on/off button for 1.5 seconds to switch off.
2	Colder/ Warmer button	Press button to change the freezer compartment temperature from 5°F(-15°C) to -11°F(-24°C) After the temperature regulation is stopped, the nixie tube will flash for 5 seconds and take effect. Super freezing function will be enabled if keep pressing after -11°F (-24°C). When the snow symbol illuminate on the display the super freezing function will be enabled. The super freezing feature assists with periods of high freezer use, full grocery loads, or temporarily Warm room temperatures. After the super cool cycle completes, the refrigerator will return to its previous setting.
3	Temp. display	Displays the set temperature of the freezer. Fahrenheit, Celsius, Super freezer lamp illuminate.
4	Lock	Press lock key continuously for 3 seconds and the lock icon will light up. Press the lock key for 3 seconds to unlock the icon. 3 minutes without key operation lock key. All of the following operations must be performed in the unlocked state.

3 - DISPLAY PANEL

. FREEZER

5	Holiday mode	<p>Press the MENU button till the holiday symbol illuminates, then press the SELECT button to enable the function. When the Holiday Mode function is enabled, freezer temperature set at 0°F (-18°C) automatically.</p> <p>Before leaving</p> <ul style="list-style-type: none">- Turn the ice maker to OFF on the control panel.- Shut off the water supply to the appliance. <p>On return</p> <ul style="list-style-type: none">- Turn on the ice maker.- Discard the first full bin of ice.
6	Eco mode	<p>Press the MENU button till the Eco Mode illuminates, then press the SELECT button to enable the function. When the Eco Mode function is enabled, and freezer Temperature set at 5 °F (-15 °C) automatically.</p>
7	Sabbath Mode	<p>Press the MENU button till the Sabbath mode symbol illuminates Then press the SELECT button to enable the function. When the Sabbath mode function is enabled, all lights, buzzers, display panels will be switch off.</p>
8	Menu/ child lock	<p>By pressing MENU button for 3 seconds, you may lock/unlock the control panel. The child lock is a feature for preventing children from changing the product settings.</p>
9	Water filter (if applicable)	<p>The water filter symbol flashes and beeps to advise the user to replace the water filter. After the replacement is completed, Press the SELECT button for 5 seconds to reset. The set replacement time is 130 days.</p>
10	Ice Making (if applicable)	<p>Press the MENU button till the ice making symbol illuminates, Then press the SELECT button to enable the function. When the ice making function is enabled, ice maker will be automatically operating and the ice cubes will be accumulated in the ice tray. NOTE: Prepare the water filter for use before using the ice. After connecting the freezer to a water source or after replacing the water filter, fill and discard two full containers of ice.</p>

3 - DISPLAY PANEL

. FREEZER

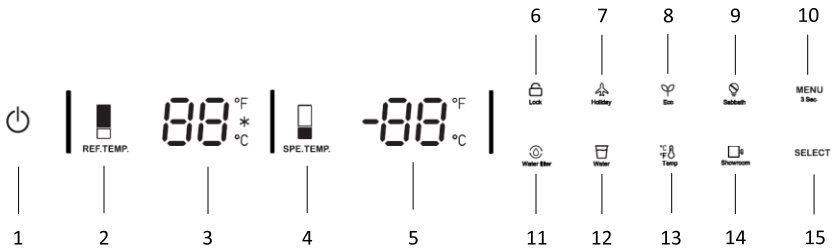
11	Temperature unit	Press the MENU button till the Celsius and Fahrenheit selection symbol illuminates to change between Celsius and Fahrenheit. After that press the SELECT button to confirm.
12	Show room mode	Press the MENU button till the show room symbol illuminates, then press the SELECT button to enable the function. This mode is used when the refrigerator is on display in a retail store or if you want to turn the cooling off and deactivate all other functions except interior lighting. Note : Do not store any food items while in show room mode, as the appliance then remains at room temperature.
13	Select	After selecting menu, then press SELECT button to confirm the function.

C

Recommended operating temperature
Freezer : 0°F (-18 °C)

3 - DISPLAY PANEL

. REFRIGERATOR



1	On/Off button	Serves to switch the whole appliance On and Off. Press the button to switch on the product, the product will be switched on in 5 seconds. Press the on/off button for 1.5 seconds to switch off.
2	REF. TEMP. zone colder/Warmer Button	Press REF. TEMP button to adjust temperature from 36°F(2°C) to 46°F(8°C). After the temperature regulation is stopped, the nixie tube will flash for 5 seconds and take effect. Super cooling function will be enabled if keep pressing after 36°F (2°C). When the snow symbol illuminate on the display the super cooling function will be enabled. The super cooling feature assists with periods of high refrigerator use, full grocery loads, or temporarily warm room temperatures. After the super cool cycle completes, the refrigerator will return to its previous setting.
3	Temp. display	Displays the set temperature of the REF. TEMP. zone Fahrenheit, Celsius, Super cooling lamp illuminate.
4	SPE. TEMP. zone colder/Warmer Button	Press SPE. TEMP. button to adjust temperature from 30°F(-1°C) to 41°F(5°C). After the temperature regulation is stopped, the nixie tube will flash for 5 seconds and take effect.
5	Temp. display	Displays the set temperature of the SPE. TEMP. zone Fahrenheit, Celsius lamp illuminate.
6	Lock	Press lock key continuously for 3 seconds and the lock icon will light up. Press the lock key for 3 seconds to unlock the icon. 3 minutes without key operation lock key. All of the following operations must be performed in the unlocked state.

3 - DISPLAY PANEL

. REFRIGERATOR

7	Holiday mode	<p>Press the MENU button till the holiday symbol illuminates, then press the SELECT button to enable the function.</p> <p>When the Holiday Mode function is enabled, the REF. TEMP and SEP. TEMP will be set at 63°F (17°C) automatically.</p> <p>NOTE: Do not place food in the fresh food compartment when Holiday Mode is enabled.</p>
8	Eco mode	<p>Press the MENU button till the Eco Mode illuminates, then press the SELECT button to enable the function.</p> <p>When the Eco Mode function is enabled, the REF. TEMP will be set at 46 °F (8 °C) the SEP. TEMP will be set at 41 °F (5 °C) automatically.</p>
9	Sabbath Mode	<p>Press the MENU button till the Sabbath mode symbol illuminates Then press the SELECT button to enable the function.</p> <p>When the Sabbath mode function is enabled, all lights, buzzers, display panels will be switch off.</p>
10	Menu/ child lock	<p>By pressing MENU button for 3 seconds, you may lock/unlock the control panel.</p> <p>The child lock is a feature for preventing children from changing the product settings.</p>
11	Water filter (if applicable)	<p>The water filter symbol flashes and beeps to advise the user to replace the water filter.</p> <p>After the replacement is completed, Press the SELECT button for 5 seconds to reset.</p> <p>The set replacement time is 130 days.</p>
12	Water dispenser (if applicable)	<p>Press the MENU button till the water dispenser symbol illuminates, Then press the SELECT button to enable the function.</p> <p>When the water dispenser is enabled, fresh water can be provided from the dispenser fitted on the internal wall.</p> <p>NOTE: Prepare the water filter for use before using water dispenser.</p> <p>After connecting the refrigerator to a water source or after replacing the water filter, fill and discard two full containers of ice.</p>
13	Temperature unit	<p>Press the MENU button till the Celsius and Fahrenheit Selection symbol illuminates to change between Celsius and Fahrenheit. After that press the SELECT button to confirm.</p>

3 - DISPLAY PANEL

. REFRIGERATOR

14	Show room mode	Press the MENU button till the show room symbol illuminates, then press the SELECT button to enable the function. This mode is used when the refrigerator is on display in a retail store or if you want to turn the cooling off and deactivate all other functions except interior lighting. Note : Do not store any food items while in show room mode, as the appliance then remains at room temperature.
15	Select	After selecting menu, then press SELECT button to confirm the function.

C	Recommended operating temperature REF. TEMP. : 39°F (4°C) SPE. TEMP. : 34°F(1°C)
----------	--

4 - BEFORE USING THE REFRIGERATOR

4.1 ENERGY SAVING

A	Connecting your refrigerator to systems that save energy is dangerous as they may cause damage on the product.
----------	--

- Do not leave the doors of your refrigerator open for a long time.
- Do not put hot food or drinks in your refrigerator.
- Do not overload the refrigerator. Cooling capacity will fall when the air circulation in the refrigerator is hindered.
- Do not place the refrigerator in places subject to direct sunlight. Install the product at least 30 cm away from heat sources such as hobs, ovens, heater units and stoves and at least 5 cm away from electrical ovens.
- Pay attention to store your food in refrigerator in closed containers.
- You can remove the drawer shelf of the freezer compartment to fill the freezer compartment with maximum amount of food.

The given energy consumption value of the refrigerator has been determined with the freezer compartment shelf or the drawer removed and the refrigerator filled with maximum amount of food.

There is no harm in using a shelf or drawer according to the shapes and sizes of food to be frozen.

- Thawing the frozen foods in the fridge compartment both saves energy and reserves the quality of the foods

C	Temperature of the room where your refrigerator is located should at least be 10°C/50° F. Operating your refrigerator under cooler conditions is not recommended with regard to its efficiency
C	If two coolers are to be installed side by side, there should be at least 4 cm distance between them

4.2 RECOMMENDATIONS ABOUT THE FRESH FOOD COMPARTMENT

- Make sure that the food does not touch the temperature sensor in fresh food compartment. To allow the fresh food compartment to keep its ideal storage temperature, the sensor must not be hindered by food.
- Do not place hot foods or beverages inside the product.

4 - BEFORE USING THE REFRIGERATOR

4.3 INITIAL USE

Before using the product, make sure that all preparations have been made in accordance with the instructions given in the "Important instructions regarding safety and environment" and "Installation Instruction" chapters.

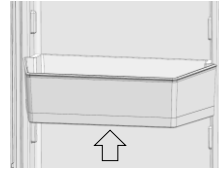
- Clean the interior of the refrigerator as recommended in the "Maintenance and cleaning" section. Before you start the refrigerator, make sure that the interior is dry.
- Plug the refrigerator in a grounded socket. The interior illumination is lit when the door of the refrigerator is opened.
- Operate the refrigerator for 6 hours without placing any food in it and do not open its door unless it is necessary

C	You will hear a noise when the compressor starts up. The liquids and gases sealed within the refrigeration system may also give rise to noise, even if the compressor is not running and this is quite normal.
C	Front edges of the refrigerator may feel warm. This is normal. These areas are designed to be warm to avoid condensation.

5 - EQUIPMENT

5.1 DOOR BIN

To remove, lift up the door bin and then pull out straight.



5.2 GLASS SHELVES

To remove a shelf

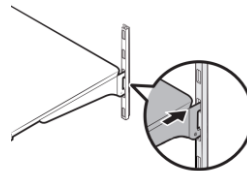
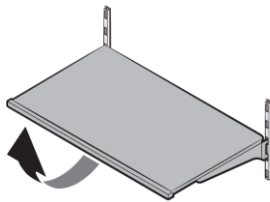
- Fully open the corresponding door.
- Hold the front of the shelf, and then gently lift up and slide out.

To reinsert

- hold the shelf at an angle so the front is higher than the back, and then insert the top hook into the top shelf notch.
- Put down the front slightly.

IMPORTANT NOTE:

Use care when handling glass shelves to prevent breakage or scratching the interior.



A

ATTENTION:

You must wait for the glass shelves to reach room temperature before immersing them in water for cleaning.

5 - EQUIPMENT

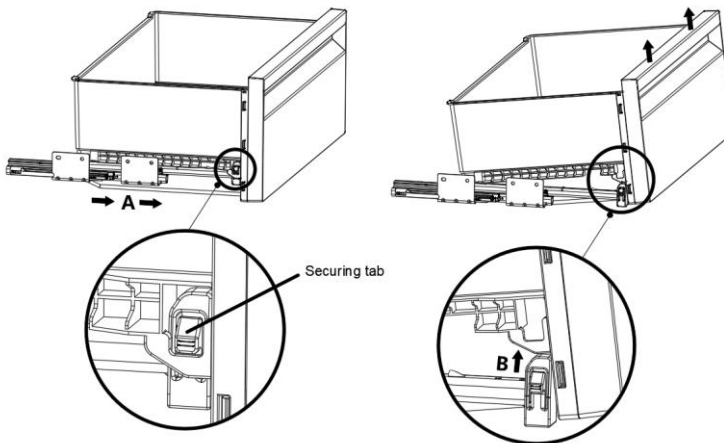
5.3 BINS

To remove the bin

- Pull the bin until it stops.
- Slightly unclip the front section of the bin and take it out completely.

To install the bin

- Pull the rails completely.
- Place the gap at the rear corners of the bin to the detail located at the rear corners of the rails.
- Push the bin slowly down until you feel it clip front onto the rails.



C

Make sure that the details at the right and left-hand sides are fixed when installing the bin.

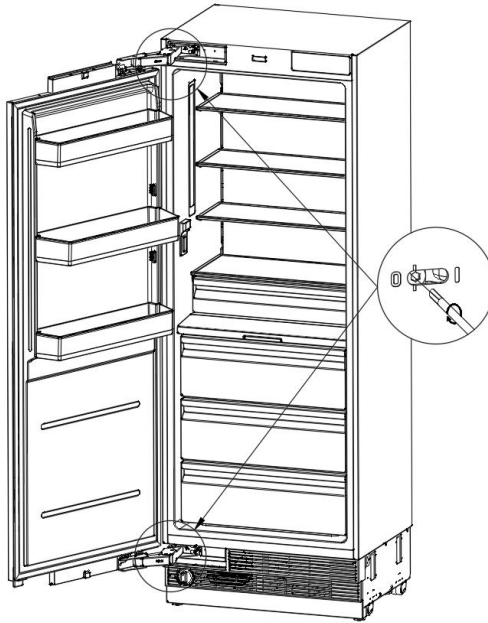
5.4 SPE. TEMP. ZONE COMPARTMENT

You can control the temperature in this section to store your food such as fish, meat, delicatessen products.

5 - EQUIPMENT

5.5 HINGES ADJUSTMENT

When adjusting the hardness of the hinge: Hardness of the lower and upper door hinges of the fresh food compartment is performed with the help of a drill. Set the hinge adjustment screw to position "1" from position "0".



5.6 CHANGING THE DIRECTION OF THE DOOR

Please see the installation instructions provided in the bag.

6 - CARE AND CLEANING

Service life of the product will extend and frequently encountered problems will decrease if the product is cleaned periodically.

Never use gasoline, benzene or similar substances for cleaning purposes.

Never use any sharp abrasive instruments, soap, household cleaners, detergent or wax polish for cleaning.

Dissolve one teaspoon of carbonate in half liter of water. Soak a cloth in the solution and wring it thoroughly. Wipe the interior of the refrigerator with this cloth and the dry thoroughly.

Make sure that no water enters the lamp housing or other electrical parts.

If you will not use the refrigerator for a long time, unplug it, remove all food inside, clean it and leave the door ajar.

Check regularly that the door gaskets are clean. If not, clean them.

Take out all items in the product to remove the door and body shelves.

Remove the door shelves by pulling them up. Slide the shelves downwards to re-install them after cleaning.

Never use chloric cleaning agents or water to clean outer surfaces or chrome-coated parts of the product. Chlorine causes abrasion on such metal surfaces.

6.1 AVOIDING BAD ODORS

Materials that may cause odor are not used in the production of our refrigerators. However, odor may be emitted if foods are stored improperly or if the inner surface of the product is not cleaned as required.

Please consider the following to avoid this problem:

It is important that the refrigerator is kept clean.

Food residuals, stains, etc. can cause odor.

For this reason, clean your refrigerator with carbonate solved in water every 15 days. Never use detergents or soap.

Keep your foods in closed vessels. Microorganisms emitted from vessels without a cover may cause unpleasant odors.

Never keep expired or spoiled foods in your refrigerator.

6.2 PROTECTING THE PLASTIC SURFACES

Do not put liquid oils or oil-cooked meals in your refrigerator in unsealed containers as they damage the plastic surfaces of your refrigerator.

If oil is spilled or smeared onto the plastic surfaces, clean and rinse the relevant part of the surface with warm water immediately.

B

WARNING Switch off the product before cleaning.

6 - CARE AND CLEANING

6.3 CLEANING THE INNER SURFACE

To clean the inner surfaces and all removable parts, wash them with a mild solution comprising soap, water and carbonate. Rinse and dry thoroughly. Prevent the water from contacting the lighting means and control panel.

6.4 STAINLESS STEEL OUTER SURFACES

Use a stainless steel cleaning agent that is non- abrasive and apply it with a lint-free, soft cloth. For polishing, wipe the surface softly with a damp microfiber cloth and use dry wash-leather. Always follow the strands of the stainless steel.

A

ATTENTION:

Do not use vinegar, rubbing alcohol or other alcohol-based cleaning agents on any of the inner surfaces.

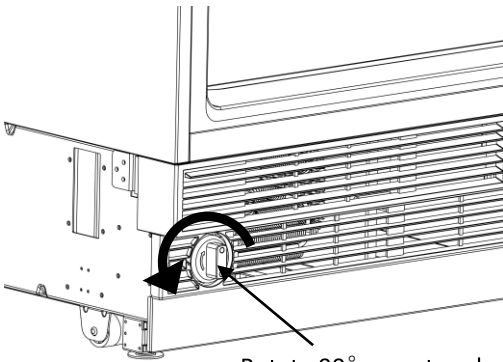
7 - WATER FILTER

7.1 WATER FILTER CARTRIDGE

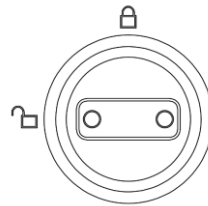
The water filter cartridge is located in the bottom part of the unit. Regarding as replace the filter cartridge The filter cartridge should be replaced every six months or earlier if 170 gallons of water has been dispensed or the flow of water to the dispenser or icemaker decreases. The main refrigerator/freezer control panel will display water filter lamp when the water filter has reached 90% of life.

7.2 CHANGING THE WATER FILTER CARTRIDGE

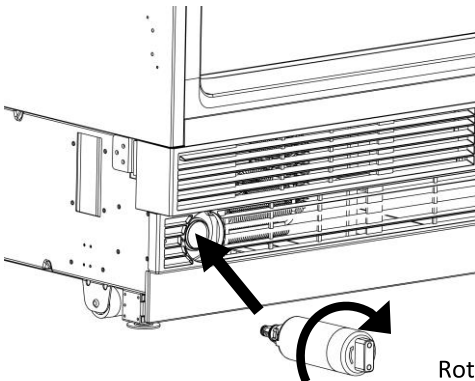
Turn the water filter counterclockwise and remove.



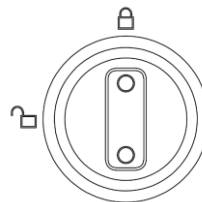
Rotate 90° counter-clockwise



Insert the water filter – with the knobs at the front in a horizontal position As far as it will go, and turn clockwise until it snaps in.



Rotate 90° clockwise



7 - WATER FILTER

7.3 AFTER REPLACING THE CARTRIDGE

In refrigerators, run 2 gallons of water to remove air from the system. A newly installed filter cartridge will cause water to spurt and dribble until the air is out of the system.

In freezers, the icemaker may not immediately produce ice. Initial ice may be irregularly shaped.

Discard the first bin of ice to allow air to purge from the system. A newly installed filter cartridge will cause water to spurt into the icemaker body, which could lead to ice droplets around the icemaker area.

To reset the water filter usage, press the SELECT button for 5 seconds to reset.

C

It is normal for these droplets and initial ice production to appear discolored during the initial system flush. Ice color will return to normal after the first bin of ice production.

8 - TROUBLESHOOTING

Please review this list before calling the service.

This will save you time and money.

This list contains frequently encountered problems that are not results of faulty workmanship or material use.

Your product may not have some of the features described here.

IF THE REFRIGERATOR IS NOT OPERATING

- It may not be plugged in properly. >>> Plug in the product properly.
- The fuse of the socket to which your refrigerator is connected or the main fuse may have blown.
>>>Check the fuse.

IF THERE IS CONDENSATION ON THE FRIDGE COMPARTMENT

- The door may have been opened/closed frequently.
>>>Do not open/close the refrigerator door frequently.
- The environment may be too humid.
>>>Do not install the refrigerator at locations with a very high level of humidity.
- Foods containing liquid may have been placed into the refrigerator in vessels without covers.
>>> Do not place foods containing liquid into the refrigerator in unsealed vessels.
- Door of the refrigerator may have been left ajar.
>>>Do not keep the doors of your refrigerator open for a long time.

IF THE COMPRESSOR IS NOT OPERATING

- The compressor protector will work during sudden power failures or plug-out plug-in as the refrigerant pressure in the cooling system of the refrigerator has not been balanced yet.
- The refrigerator will start running approximately after 6 minutes.
- The freezer is in defrosting cycle. >>>This is normal for a refrigerator that performs full-automatic defrosting.
Defrosting cycle is performed periodically.
- The refrigerator may not be plugged in.
>>>Make sure that the plug fits the socket.
- Temperature settings may be incorrect.
>>>Select the correct temperature value.
- Possible power failure.
>>>The refrigerator will start to operate normally when power restores.

8 - TROUBLESHOOTING

IF THE NOISE INCREASES WHEN THE REFRIGERATOR IS RUNNING

Operating performance of the refrigerator may vary based on the ambient temperature changes.

This is normal and not a fault.

IF YOU HEAR VIBRATION NOISE

- The floor may not be stable or level.
>>>If the refrigerator shakes when moved slightly feed to balance it. Make sure that the floor is level and capable of carrying the refrigerator.
- Objects placed onto the refrigerator may cause noise.
>>>Remove the objects on the refrigerator.

IF YOU HEAR LIQUID SPILLING OR SPRAYING

- Liquid and gas flows occur in accordance with the operating principles of the refrigerator. This is normal and not a fault.

IF YOU HEAR A WHISTLE SOUND FROM THE REFRIGERATOR

- There are fans that are used to cool the refrigerator.
This is normal and not a fault.

IF DEW CONDENSATIONS ACCUMULATES ON THE INNER WALLS

- Hot and humid weather increases icing and condensation.
This is normal and not a fault.
- The doors may have been opened frequently or left ajar for a long time.
>>>Do not open the door frequently. Close the doors, if open.
- The door may have been left ajar.
>>>Close the door completely.

IF DEW CONDENSATIONS OCCURS ON THE OUTER SURFACE

- Air might be humid. This is quite normal in humid weathers.
>>>Condensation will disappear the humidity level decreases.
- There might be external condensation at the section between two doors of the refrigerator if you use your product rarely.
This is normal. Condensation will disappear upon frequent use.

8 - TROUBLESHOOTING

IF THERE IS A BAD ODOUR INSIDE THE REFRIGERATOR

- No regular cleaning may have been performed.
>>>Clean the inside of the refrigerator sponge, lukewarm water or carbonated water.
- Some vessels or packaging materials may cause the odour.
>>>Use another vessel, or packaging materials from another brand.
- Foods may have been placed into the refrigerator in vessels without covers. >>>Store the foods in closed vessels.
Microorganisms emitted from vessels without a cover may cause unpleasant odors.
- Take out expired or spoiled foods from the refrigerator.

IF THE DOOR CANNOT BE CLOSED

- Food packages may be preventing the door from closing.
>>> Re-locate the packages obstructing the door.
- The refrigerator may be unstable on the floor.
>>>Adjust the refrigerator feet as required the refrigerator in balance.
- The floor may not be level or solid.
>>>Make sure that the floor is level and capable of carrying the refrigerator.

IF BINS ARE STUCK

- Foods may be touching the upper wall of the bin.
>>>Re-organise the foods in bin.

A

WARNING

If you can not eliminate the problem although you follow the instructions in this section, consult your dealer or the Authorized Service Provider. Never attempt to repair a malfunctioned product.

9 - WARRANTY AND SERVICE

LIMITED WARRANTY

Kucht shall not be held responsible for any incidental or consequential damages. In no event shall Kucht's liability exceed the original cost paid for the appliance. This includes costs related to installation, shipping, or any damages incurred, such as loss of food or beverages, as well as any loss, damage, or destruction resulting from appliance malfunction, misuse, or improper installation.

READ THE **FULL WARRANTY DISCLOSURE** ON THIS LINK:
<https://kucht.com/online/warranty/>



PARTS AND SERVICE

Replacement parts and accessories can be acquired on <https://kuchtcare.com>

Prior approval is required to start the service. To initiate a service claim please submit a Support Ticket on <https://kuchtcare.com> or contact KUCHT for assistance on how to initiate a service claim. The phone number is **866.685.8248**. Please have your original bill of sale and Serial Number of the unit available so our customer service representative is able to quickly arrange for service.



Caution - Risk of Fire or Explosion due to Flammable Refrigerant Used. Follow Handling Instructions Carefully in Compliance With U.S. and Canadian Government Regulations”

Avertissement - Risque d'incendie ou d'explosion. Présence de produit réfrigérant inflammable. Suivre les instructions de manipulation en vertu de la législation des gouvernements des États-Unis et du Canada.

CALIFORNIA PROPOSITION 65



WARNING: Cancer and Reproductive Harm –

www.P65Warnings.ca.gov.



ADVERTENCIA: Cáncer y Daño Reproductivo –

www.P65Warnings.ca.gov.



AVERTISSEMENT: Cancer et Troubles de l'appareil reproducteur –

www.P65Warnings.ca.gov.

3071108





WE TRANSFORM A SIMPLE KITCHEN INTO A PRO ONE.
THIS IS WHY WE CARE ABOUT MAKING VERY HIGH PERFORMANCE
RANGES AND HOODS, TO MAKE YOU FEEL LIKE A PRO AND STYLISH COOKER.

DESIGN: LONDON DC - WWW.LONDON-DC.COM

FOR MORE DETAILS AND INFORMATION, PLEASE VISIT OUR WEBSITE WWW.KUCHT.COM